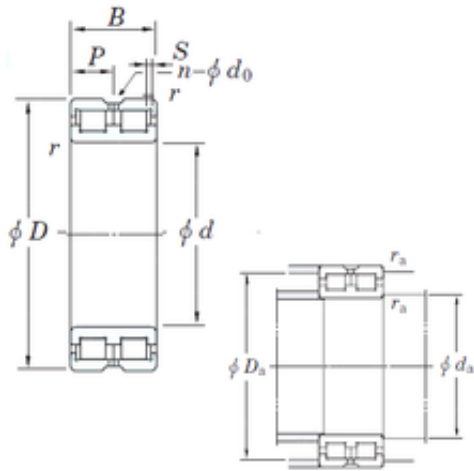




FGDB Pump Machinery Equipment Co., Ltd.



DC4972VW KOYO Full complement cylindrical roller bearings

Bearing No. DC4972VW

Size	360x480x118 mm
Bore Diameter	360 mm
Outer Diameter	480 mm
Width	118 mm
d	360 mm
D	480 mm
B	118 mm
C	118 mm
n	8 mm
p	59 mm
r min.	3 mm
S	6 mm
da min.	374 mm
Da max.	466 mm
ra max.	2,5 mm
Weight	62 Kg
Basic dynamic load rating (C)	1 700 kN
Bearing No.	DC4972VW
r(min)	3
Cr	1700
C0r	4390
S	6 mm
P	59
n(qty)	8
do	8

DC4972VW Bearing 2D drawings and 3D CAD models



FGDB Pump Machinery Equipment Co., Ltd.

da(min)	374
Da(max)	466
ra(max)	2.5
(Refer.)Mass(Fixed side)(kg)	60.8