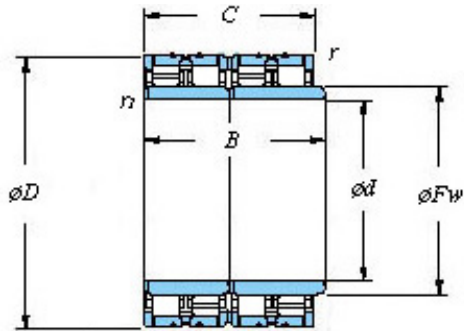
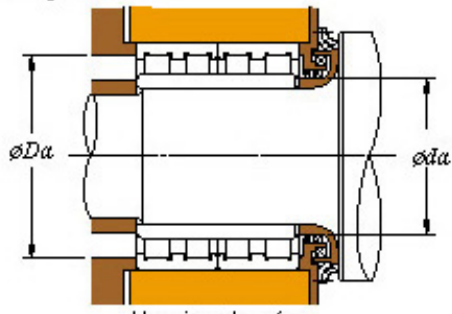




FGDB Pump Machinery Equipment Co., Ltd.



■ Mounting dimensions



Housing chamfer
Shaft chamfer

4CR545 Bearing 2D drawings and 3D CAD models

4CR545 KOYO Four-row cylindrical roller bearings

Bearing No. 4CR545

| | |
|-------------------|--------|
| Bearing No. | 4CR545 |
| d | 545 |
| D | 810 |
| B | 580 |
| r(min) | 6 |
| Cr | 14100 |
| C0r | 32100 |
| Cu | 2820 |
| Fw | 614 |
| C | 580 |
| r1(min) | 6 |
| da(min) | 573 |
| Da(max) | 782 |
| Da(min) | 744 |
| ra(max) | 5 |
| rb(max) | 5 |
| (Refer.) Mass(kg) | 1090 |